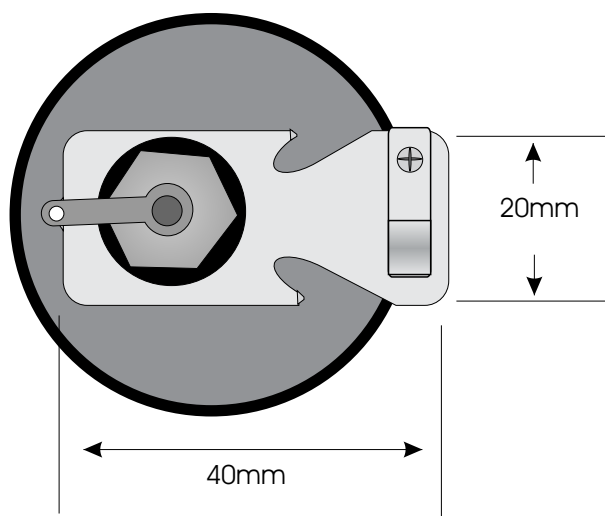
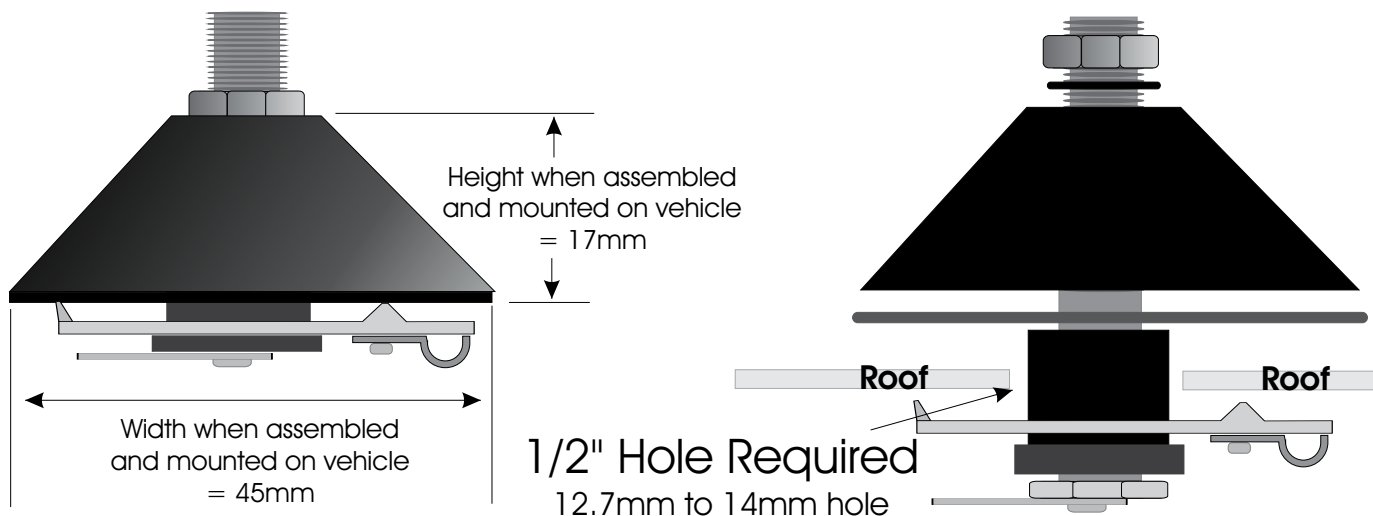


## Base A Flowchart

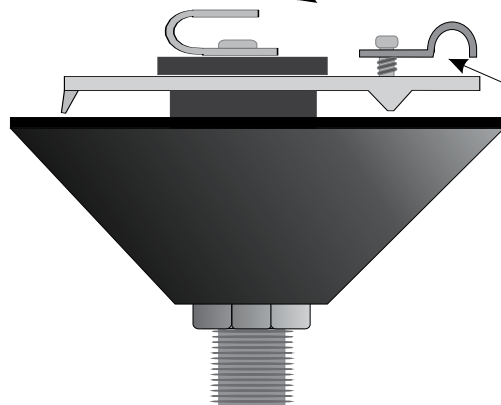


## Base A Assembly onto cable procedure

Bend solder tag so that the hole faces the coax

NOTE: Do not bend at the crimp lug

bend so that the solder tag does not come out of the crimp lug by placing your thumb in the position where you wish to bend



Loosen screw so that the coax can be put under the lug then solder the braid to the lug THEN TIGHTEN screw